



MIC845

Micro-Power Comparator / Battery Monitor



Teeny™

General Description

The MIC845 is a precision micro-power voltage comparator with an on-chip 2.55V reference voltage source.

Intended for voltage monitoring applications, the MIC845 can be used with an external resistor divider to detect a wide range of voltages, or without external resistors to directly monitor voltages with its high input impedance CMOS input.

The MIC845 incorporates a voltage reference and comparator with fixed internal hysteresis. When the 2.55V internal threshold is crossed, the output switches polarity.

MIC845 is available with a push-pull or open-drain output stage. The push-pull output stage is configured for both active high or active low output; the open-drain output stage is only configured active high.

Supply current is extremely low (typically 1µA), making it ideal for portable applications.

MIC845 is supplied in Micrel's Teeny™ 5-lead SC-70 package.

Data sheets and support documentation can be found on Micrel's web site at www.micrel.com.

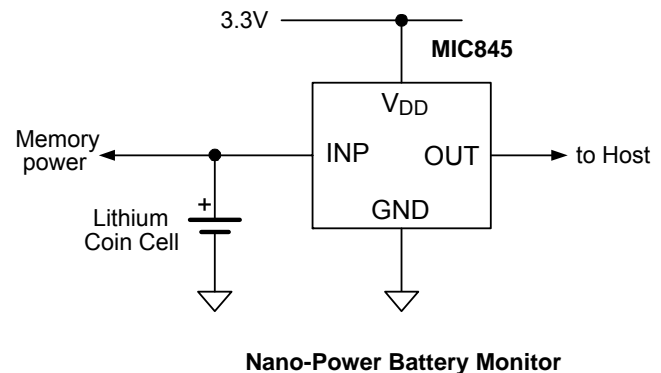
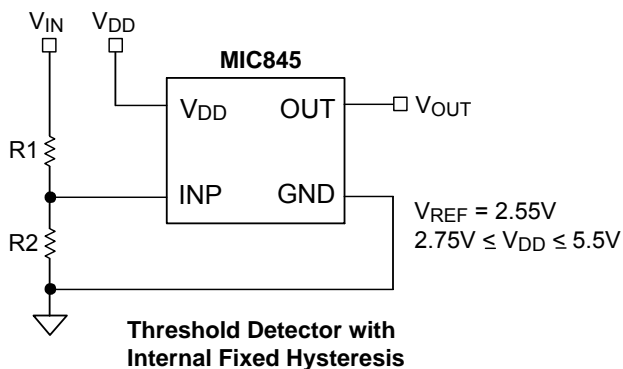
Features

- Extremely low 1µA supply current (typical)
- 2.55V on chip reference
- ±2% voltage threshold accuracy
- Optimized for PDAs, cellular telephones, pagers, and other battery-powered devices
- Open-drain output can be pulled up to 6V regardless of supply voltage
- 5-lead SC-70 package

Applications

- PDAs
- Pagers
- Cordless phones
- Portable electronics
- Motherboards
- Bladed servers

Typical Applications



Teeny™ is a trademark of Micrel, Inc.

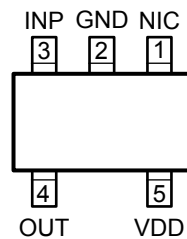
Micrel Inc. • 2180 Fortune Drive • San Jose, CA 95131 • USA • tel +1 (408) 944-0800 • fax + 1 (408) 474-1000 • <http://www.micrel.com>

Ordering Information

Part Number				Temperature Range	Package
Standard	Marking	Pb-Free	Marking*		
MIC845HBC5	B19	MIC845HYC5	<u>B</u> 19	-40° to +85°C	SC-70
MIC845LBC5	B20	MIC845LYC5	<u>B</u> 20	-40° to +85°C	SC-70
MIC845NBC5	B21	MIC845NYC5	<u>B</u> 21	-40° to +85°C	SC-70

* **Note:** Underscore on device marking indicates Pb-Free packaging.

Pin Configuration



SC-70-5 (C5)
(TOP VIEW)

Pin Description

Pin Number	Pin Name	Pin Function
1	NIC	No Internal Connection. A signal applied to this pin will have no effect on device operation.
2	GND	Ground
3	INP	Input: Analog input to the comparator. When $V_{INP} > V_{REF} + V_{HYST}$, V_{OUT} is asserted, and the condition is held until $V_{INP} < V_{REF}$.
4	OUT ("N" Version)	Output: Active-high, open-drain output. This output is low when $V_{INP} < V_{REF}$, indicating a low voltage input. The output is high when $V_{INP} > V_{REF} + V_{HYST}$.
	OUT ("H" Version)	Output: Active-high, Push-pull output. This output is low when $V_{INP} < V_{REF}$, indicating a low voltage condition. The output is high when $V_{INP} > V_{REF} + V_{HYST}$.
	OUT ("L" Version)	Output: Active-low, Push-pull output. This output is high when $V_{INP} < V_{REF}$, indicating a low voltage condition. The output is low when $V_{INP} > V_{REF} + V_{HYST}$.
5	VDD	Power Supply (Input): Independent supply input for internal circuitry.

Absolute Maximum Ratings⁽¹⁾

Supply Voltage (V_{DD})-0.3V to +6V
 Input Voltage (V_{INP}).....-0.3V to +6V
 Output Current (I_{OUT})..... 20mA
 Junction Temperature (T_J)..... -40°C to +125°C
 Storage Temperature (T_S)..... -65°C to +150°C
 Lead Temperature (soldering, 5 sec.)260°C
 ESD Rating⁽³⁾3kV

Operating Ratings⁽²⁾

Supply voltage (V_{DD}) +2.75V to +5.5V
 Input Voltage..... -0.3 to 6V
 Ambient Temperature (T_A)..... -40°C to +85°C
 Junction to Ambient Thermal Resistance:
 SC-70 (θ_{JA})..... 450°C/W

Electrical Characteristics

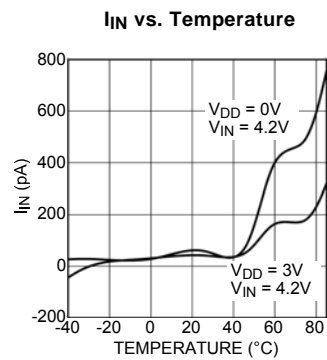
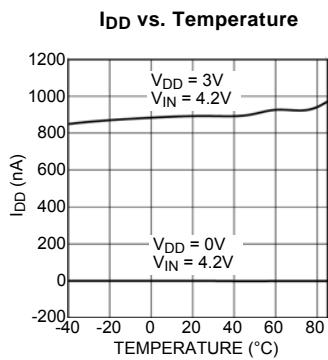
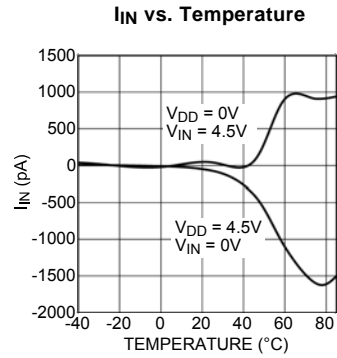
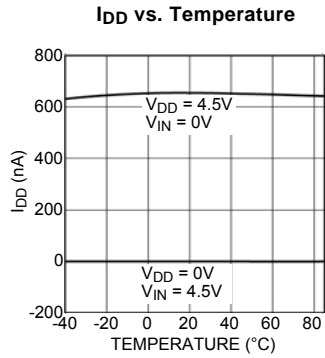
2.75V < V_{DD} < 5.5V; T_A = 25°C, **Bold** values indicate -40°C ≤ T_A ≤ +85°C, unless noted.

Parameter	Parameter	Conditions	Min	Typ.	Max	Units
I _{DD}	Supply Current	No load on output		1	3	μA
I _{INP}	Input Leakage Current	V _{DD} = 5.5V, V _{INP} = 0V		.005	10	nA
I _{INP_PD}	Input Leakage Current in power down	V _{DD} = 0V (note 4), V _{INP} = 5.5V		.005	10	nA
V _{REF}	V _{REF}	-40°C to 85°C	2.50	2.55	2.60	V
V _{HYST}	Comparator Hysteresis		8	25	40	mV
V _{OUT}	Output Voltage, 'N'	I _{SINK} = 1.6mA, V _{DD} ≥ 2.75V			0.3	V
V _{OUT}	Output Voltage, 'L' and 'H'	I _{SINK} = 1.6mA, V _{DD} ≥ 2.75V			0.3	V
		I _{SOURCE} = 500μA, V _{DD} ≥ 2.75V	0.95 × V _{DD}	0.99 × V _{DD}		V
t _D	Propagation Delay	V _{INP} = 2.7V to 2.4V		12	39	μs
		V _{INP} = 2.4V to 2.7V		8	26	μs

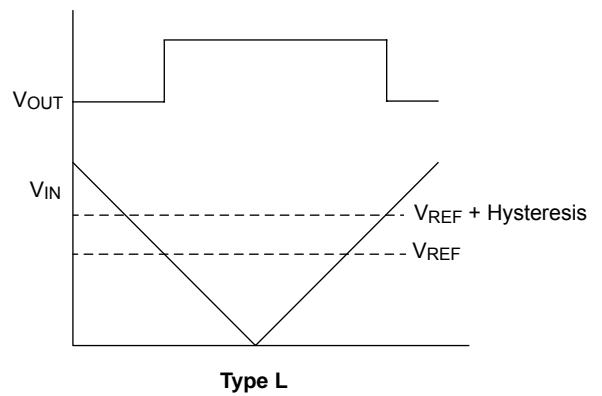
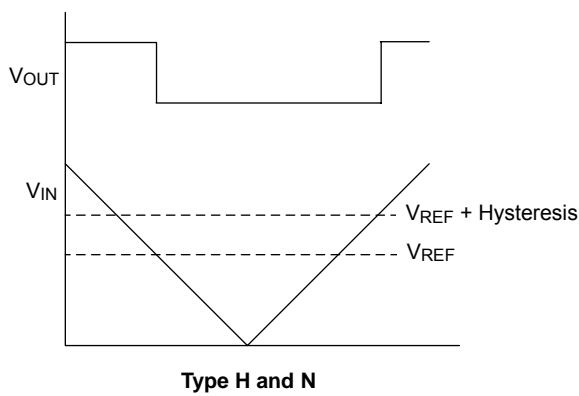
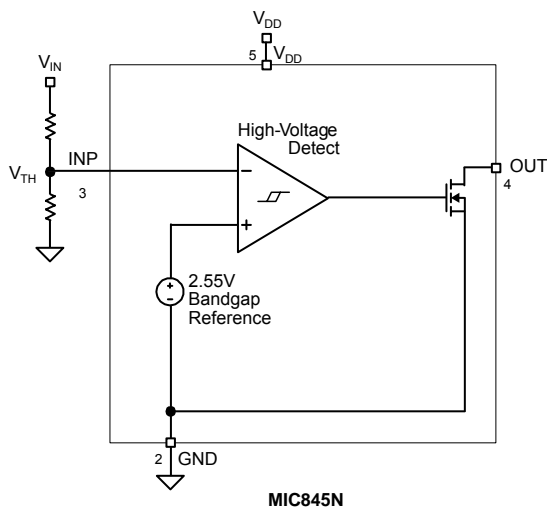
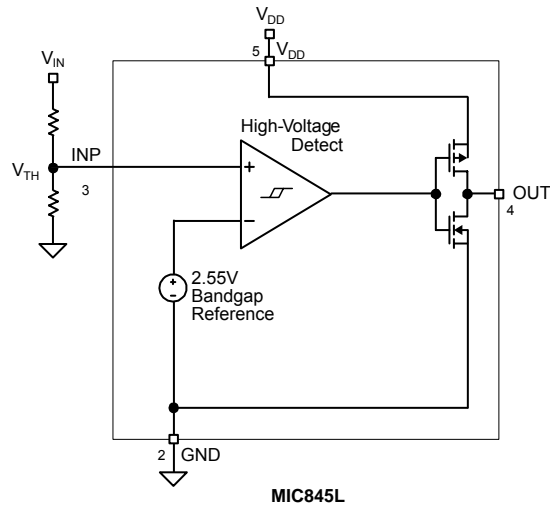
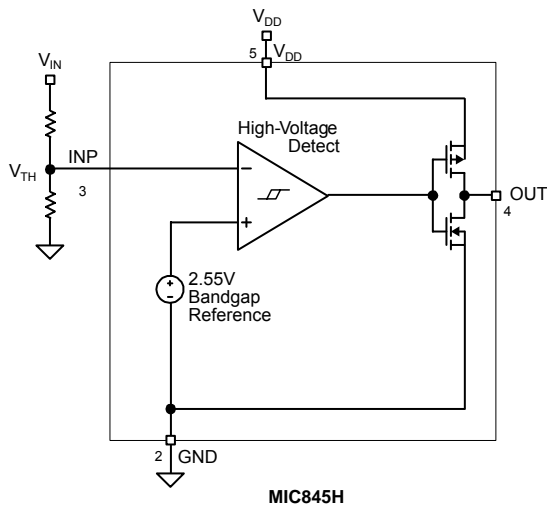
Notes:

1. Exceeding the absolute maximum rating may damage the device.
2. The device is not guaranteed to function outside its operating rating.
3. Devices are ESD sensitive. Handling precautions recommended. Human body model: 1.5k in series with 100pF.
4. V_{DD} is tied to Gnd, not left floating.

Typical Characteristics



Block Diagrams



Application Information

Output

The MIC845N output is an open-drain MOSFET, so most applications will require a pull-up resistor. It is recommended that the value of this resistor not exceed 470k Ω , otherwise PCB leakages may begin to dominate and give a false output indication.

The output of “N” type devices may be pulled up as high as 6V regardless of the IC’s supply voltage, without damage to the IC.

The “H” and “L” versions of MIC845 have push-pull output stages, no pull-up resistors are required. The maximum output voltage of the “H” and “L” versions is V_{DD} .

Input

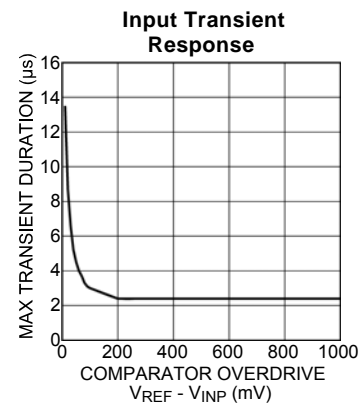
MIC845 has been designed to present an almost infinite input resistance at its INP pin making it ideal for monitoring lithium coin cell and back-up batteries. In applications where the ‘battery low’ voltage is 2.55V, MIC845’s INP pin may be tied directly to the cell’s positive terminal without any additional circuitry.

MIC845’s input may be subjected to voltages as high as 6V, steady-state, without any adverse effects, regardless of the IC’s supply voltage. This applies even if the supply voltage is zero. This permits a situation wherein the IC’s supply is turned off, but an input voltage is still present. Under such conditions,

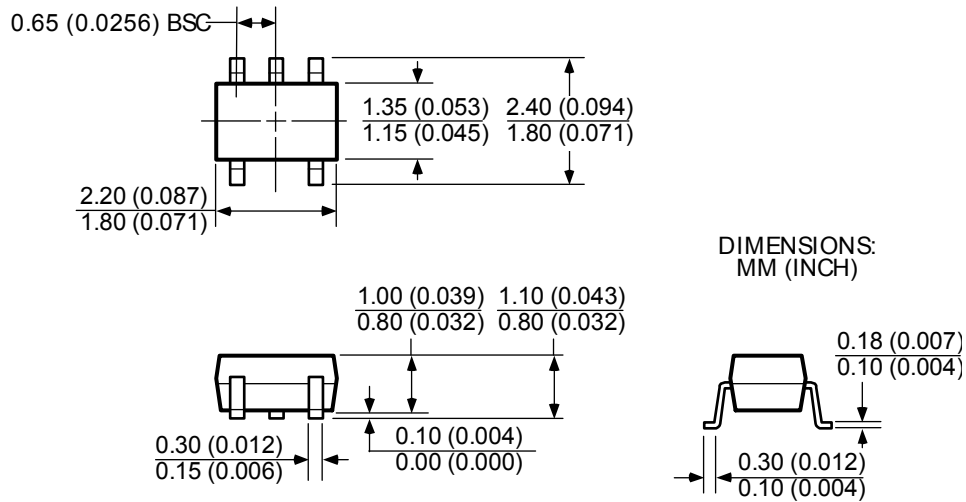
there will be no conduction from INP to V_{DD} or any circuitry internal to MIC845.

Input Transients

MIC845 is inherently immune to very short negative-going “glitches.” Very brief transients may exceed the V_{INP} threshold without tripping the output. As shown in the figure below, the narrower the transient, the deeper the threshold overdrive that will be ignored by the MIC845. The graph represents the typical allowable transient duration for a given amount of threshold overdrive that will not generate an output.



Package Information



SC-70-5 (C5)

MICREL, INC. 2180 FORTUNE DRIVE SAN JOSE, CA 95131 USA
 TEL +1 (408) 944-0800 FAX +1 (408) 474-1000 WEB <http://www.micrel.com>

This information furnished by Micrel in this data sheet is believed to be accurate and reliable. However no responsibility is assumed by Micrel for its use. Micrel reserves the right to change circuitry and specifications at any time without notification to the customer.

Micrel Products are not designed or authorized for use as components in life support appliances, devices or systems where malfunction of a product can reasonably be expected to result in personal injury. Life support devices or systems are devices or systems that (a) are intended for surgical implant into the body or (b) support or sustain life, and whose failure to perform can be reasonably expected to result in a significant injury to the user. A Purchaser's use or sale of Micrel Products for use in life support appliances, devices or systems is a Purchaser's own risk and Purchaser agrees to fully indemnify Micrel for any damages resulting from such use or sale.

© 2005 Micrel, Inc.